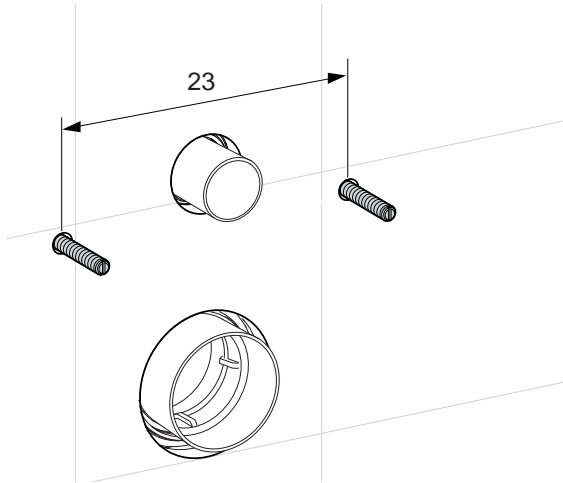


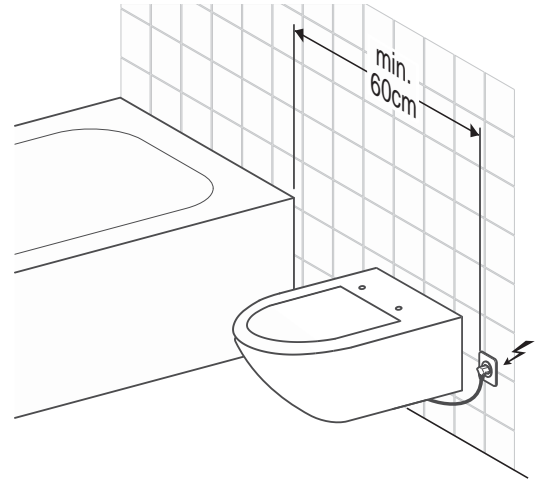
WATER AND POWER CONNECTION



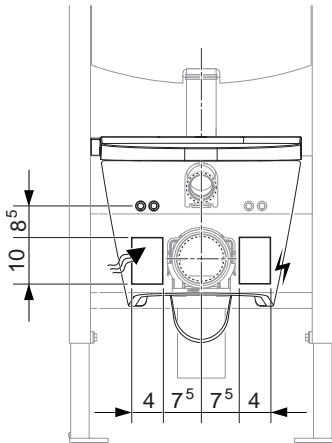
INSTRUCTION FOR INSTALLATION



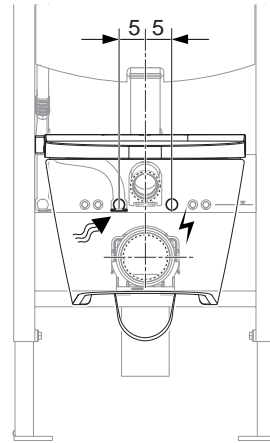
ELECTROTECHNICAL REQUIREMENTS



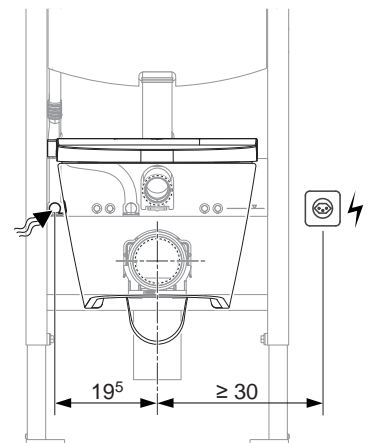
WATER AND POWER CONNECTION FOR AXENT.ONE SHOWER TOILET



Water and power connection invisible with an installation system from various brands.



Water and power connection invisible with an installation system from Geberit.



Water and power connection lateral visible with an installation system from Geberit.